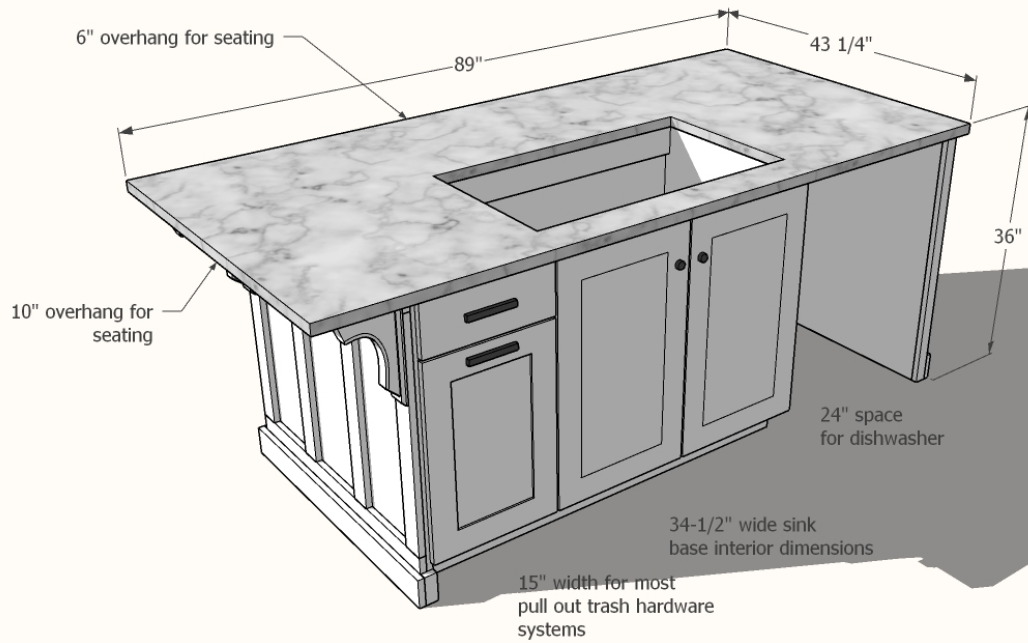


# Kitchen Island

## Dimensions



## **Tools and Materials:**

- **2 Sheets of 3/4" thick hardwood plywood**
- **Edge banding for front exposed edges of plywood**
- **1 - 4x8 sheet of 1/2" hardwood plywood**
- **5 - 1x2x8' trim boards**
- **2 - 1x6x8' trim boards**
- **1 - 1x3x10' trim board**
- **3 - 1x4x8' trim boards for drawers and baseboard**
- **6 - 1x3x8' furring strips or similar for bay supports**
- **1 set of 20" full extension drawer slides**
- **2 sets of Concealed Hinges, Frameless Half Overlay**
- **2 - 9" x 12" corbels**
- **1-1/4" pocket hole screws (About 120, coarse thread recommended)**
- **1-1/4" brad nails and wood glue**
- **Countertop sourced separately**
- **Door sizes shown in cut list and diagrams**

## **Cut list:**

### **Plywood Carcass Pieces - front edges should be edge banded**

- 5 - 3/4" plywood @ 23-1/4" x 34-1/2"
- 1 - 3/4" plywood @ 23-1/4" x 15"
- 4 - 3/4" plywood @ 11-1/4" x 34-1/2"
- 6 - 3/4" plywood @ 11-1/4" x 24-1/2"
- 1 - 1/2" plywood @ 76-1/2" x 34-1/2" - back

### **Trim (should be measured and cut to fit)**

- 1 - 1x2 @ 76-1/2"
- 1 - 1x6 @ 76-1/2"
- 4 - 1x2 @ 27-1/2"
- 2 - 1x2 @ 35-3/4"
- 2 - 1x6 @ 35-3/4"
- 4 - 1x3 @ 27-1/2"
- 4 - 1x2 @ 27-1/2" - mid stiles on ends, can be 1x3s
- 1 - 1x2 @ 34-1/2" - dishwasher end panel trim
- 1x4 baseboard should be measured and cut to fit

### **Drawer (should be cut to fit)**

- 2 - 1x4 @ 20" - drawer sides
- 2 - 1x4 @ ABOUT 12-1/2" - Measure and cut to fit after installing the drawer sides inside the cabinet
- 1 - 1/2" plywood @ ABOUT 14" x 20" - measure and cut to fit

### **Doors and Drawer Faces**

- 6" x 15-1/2" - Drawer Face on Trash Pull Out
- 23-1/4" x 15-1/2" - Door on Trash Pull Out
- 2 @ 17-3/8" x 29-1/2" - Doors on Sink Base

# Step 1

A big part of this project is cutting the plywood pieces for the cabinets and open shelves. Here is the two configurations you will need if you use Shelf Help.

Units: Imperial

Depth: 23.25 inch

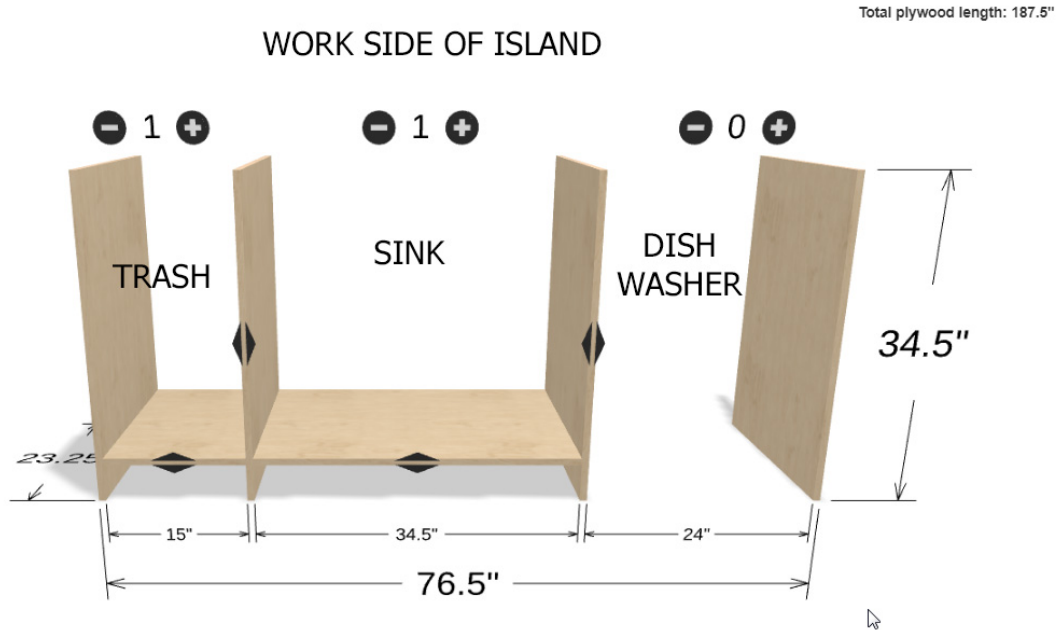
Width: 76.5 inch

Height: 34.5 inch

Bays: 3

Top: No

Bottom: No



Units: Imperial

Depth: 11.25 inch

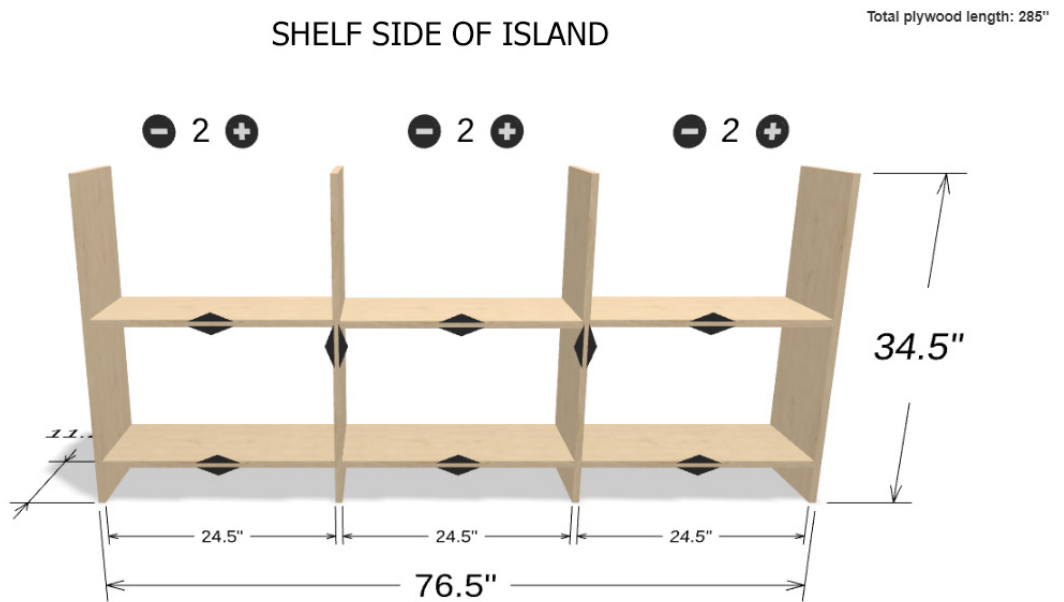
Width: 76.5 inch

Height: 34.5 inch

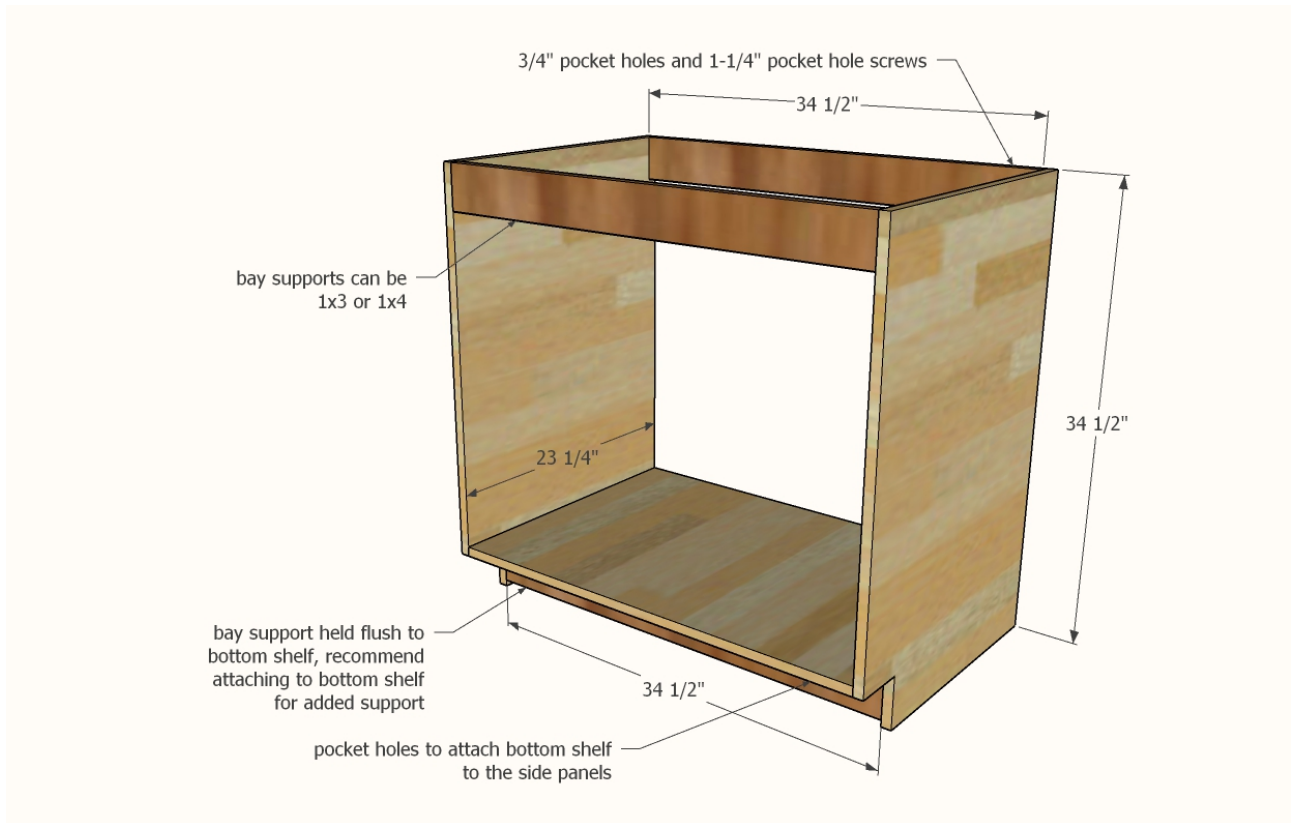
Bays: 3

Top: No

Bottom: No

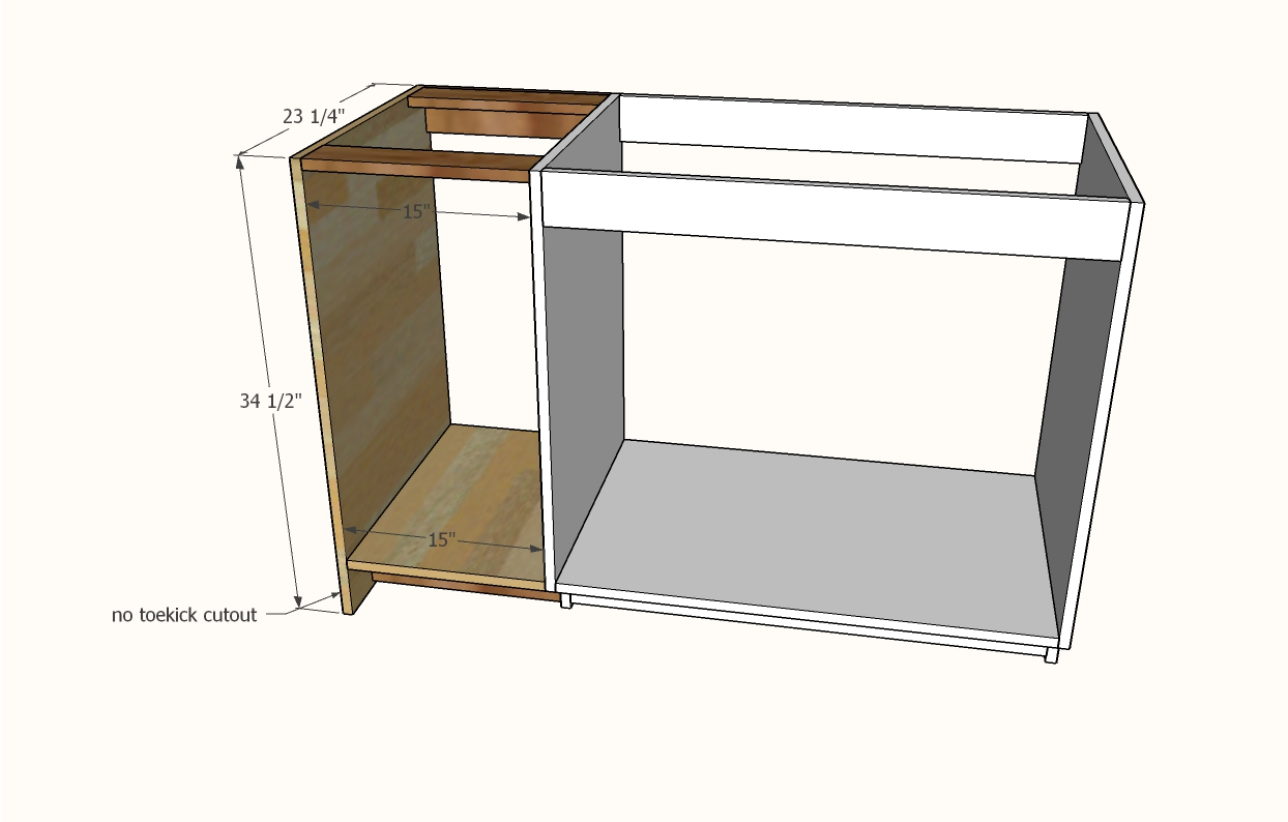


## Step 2



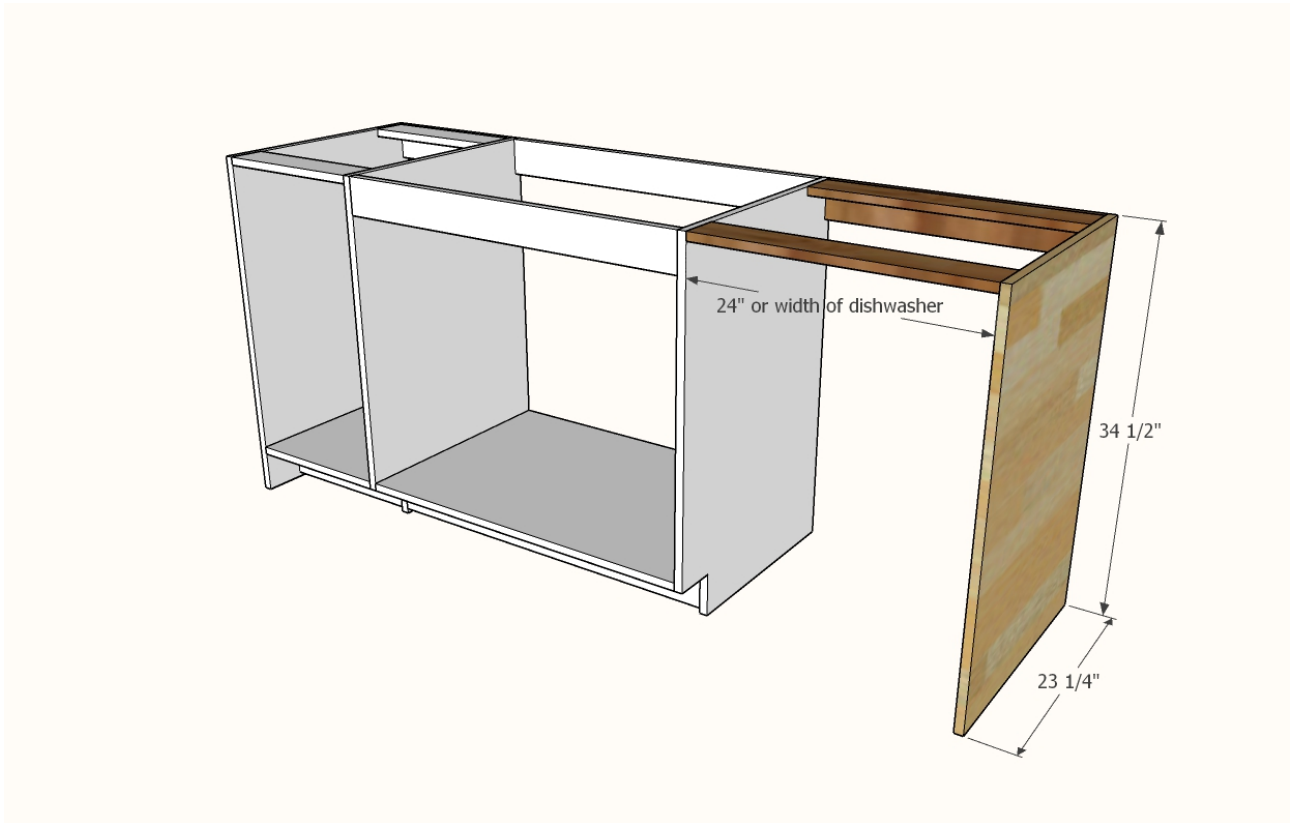
**Start by building the sink base. Cut out toekicks in the front edges of the plywood, 4" x 4", using a jigsaw. Use 3/4" pocket holes and 1-1/4" pocket hole screws to attach the shelf to the sides, bottom is flush to toekick cut out (there will be a 4" space under the shelf). Cut three bay supports from 1x3 or 1x4 boards and attach with pocket holes to further strengthen the cabinet.**

**Step 3**



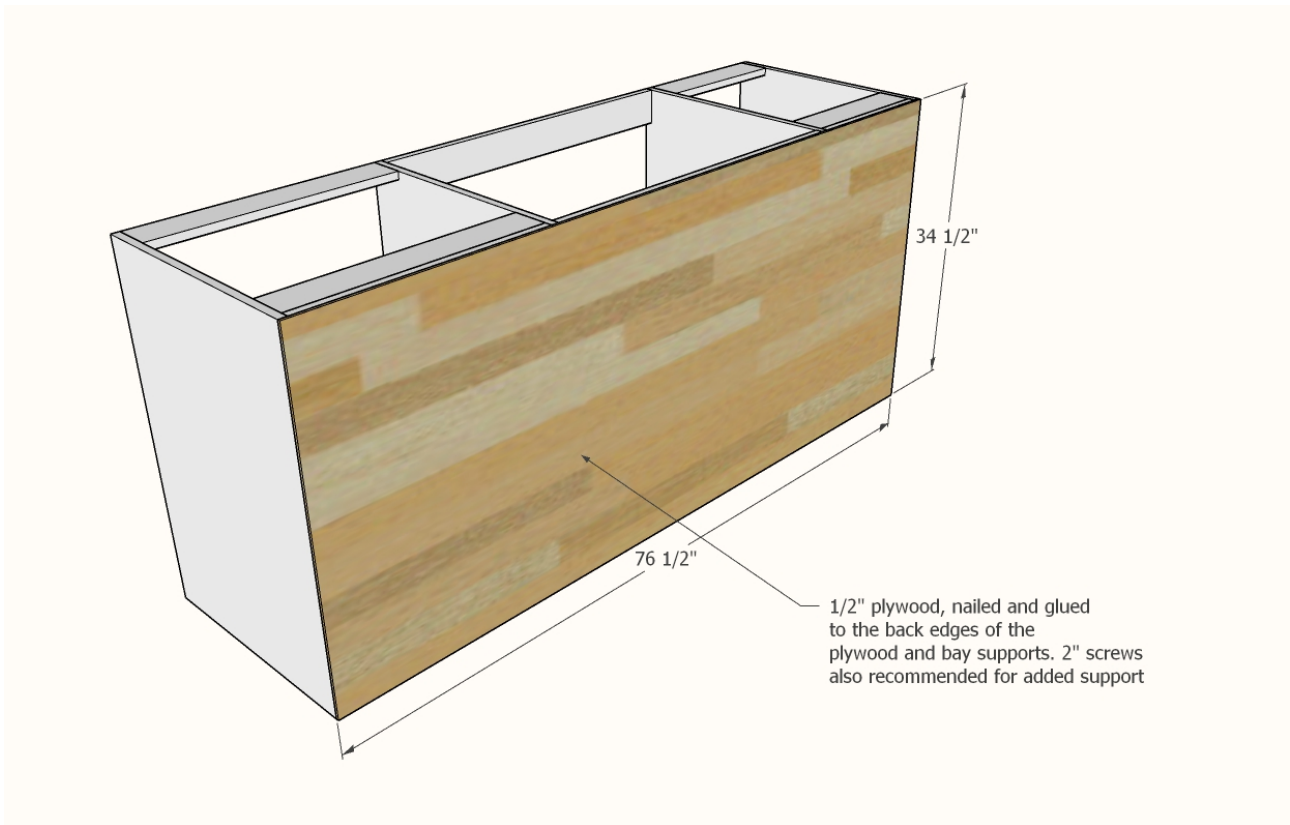
**Repeat these steps for the trash cabinet panel and shelf, and strengthen with bay supports.**

## Step 4



**Repeat these steps for the dishwasher panel. Please double check the clearance needed for your dishwasher. Add the bay supports - you may not be able to add the top front bay support depending on your dishwasher clearance needed. Also recommended a bay support at the bottom back for further support. *VIP:* You can also drill pocket holes facing downward in the dishwasher panel for attaching the panel to the floor on installation.**

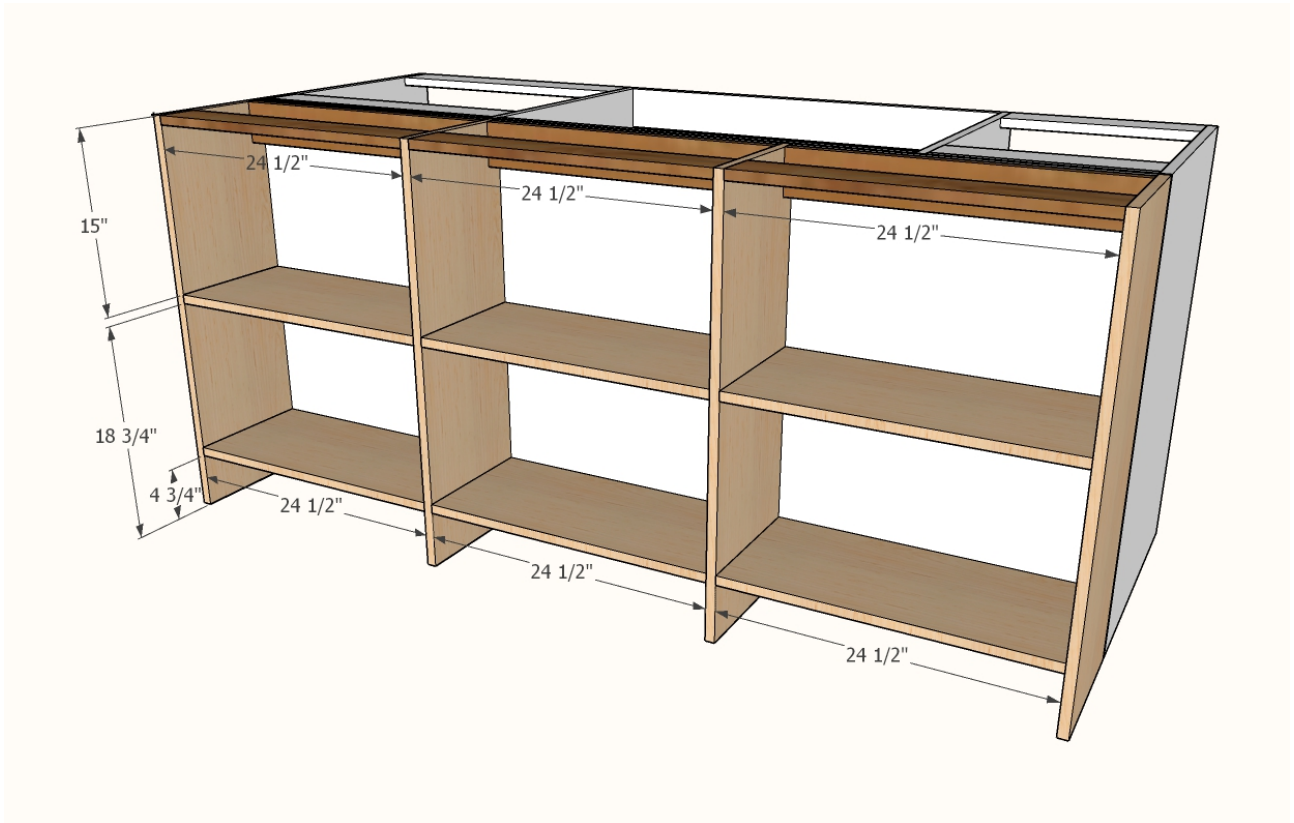
## Step 5



**Cut 1/2" plywood with a circular saw and attach to the back with glue and 1-1/4" brad nails.**

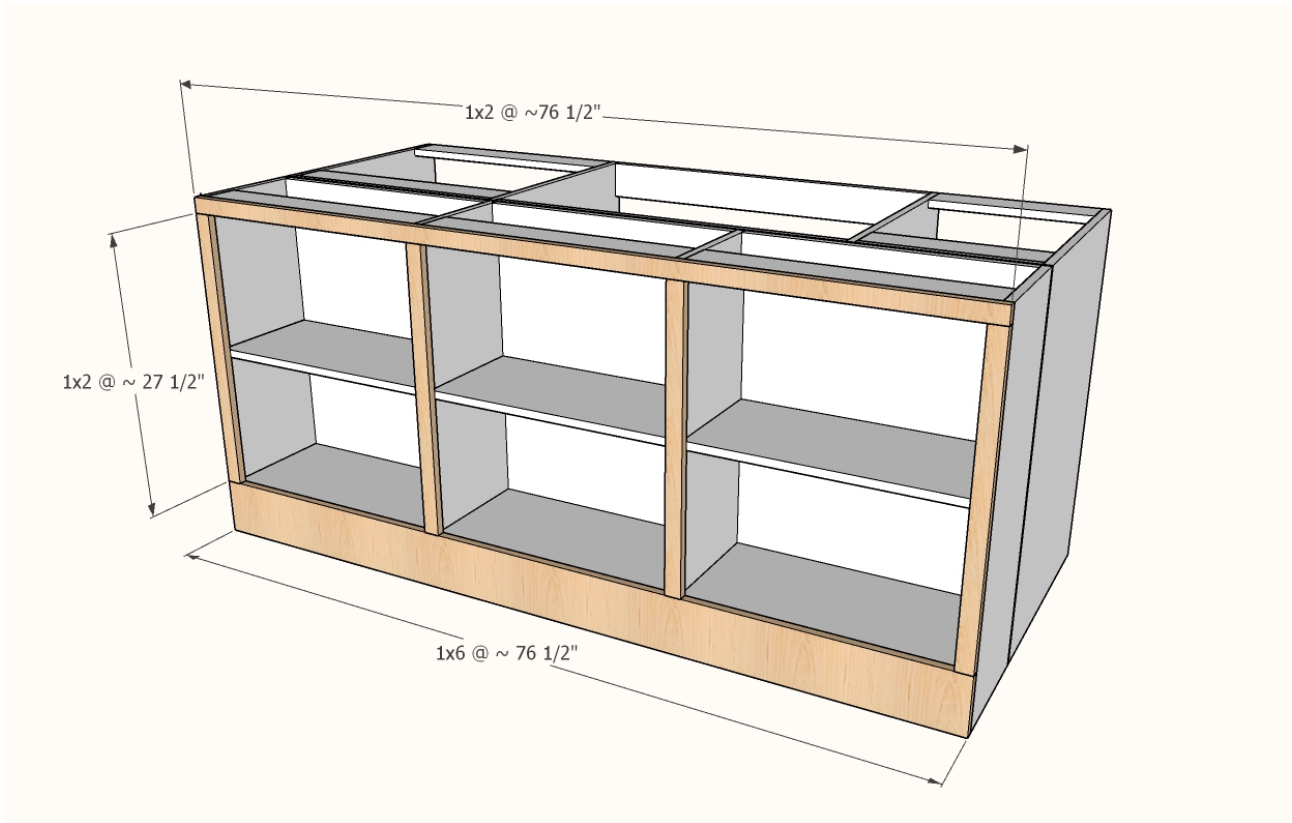


## Step 6



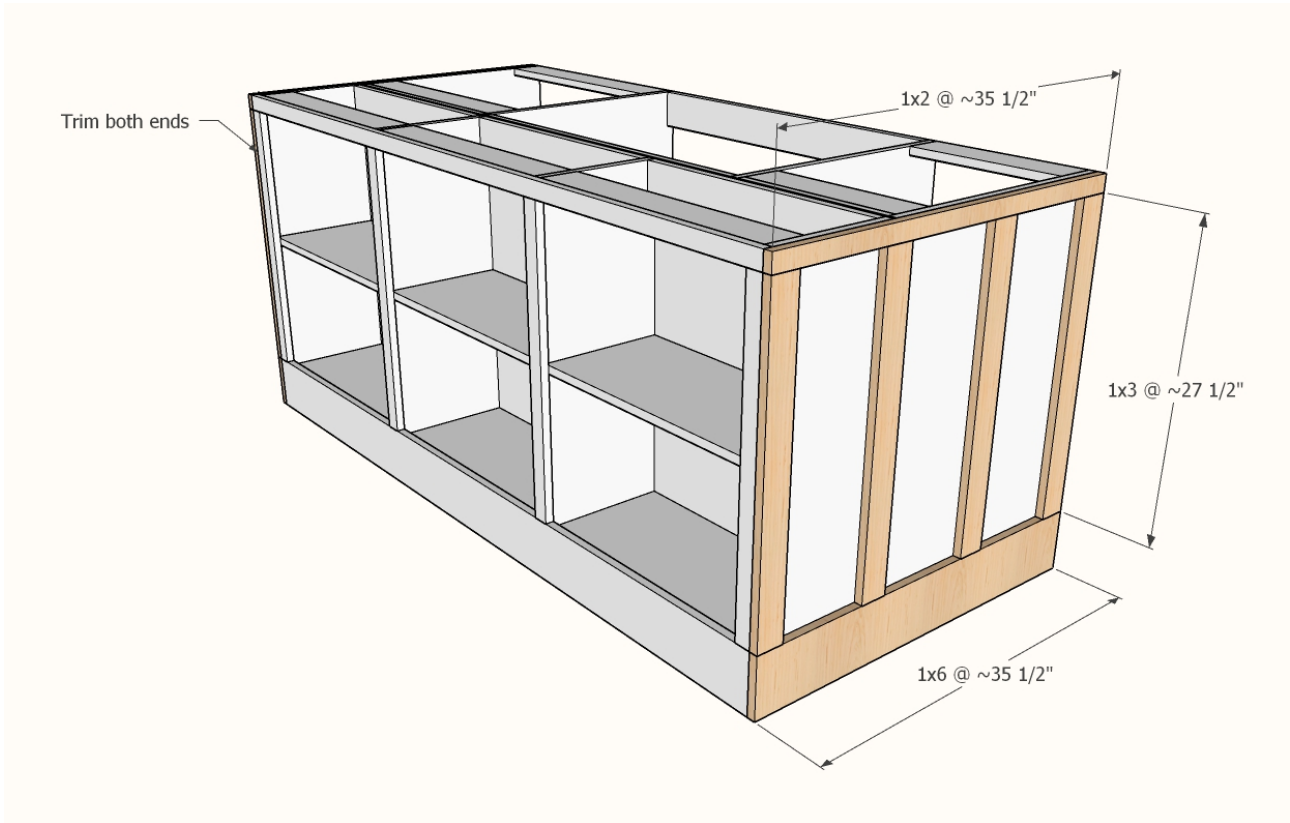
**Build the open shelf carcass with 3/4" pocket holes and 1-1/4" pocket hole screws. Attach through the bay supports to the back plywood. NOTE: I also added bay supports at the very bottom and attached at the bottom too.**

## Step 7



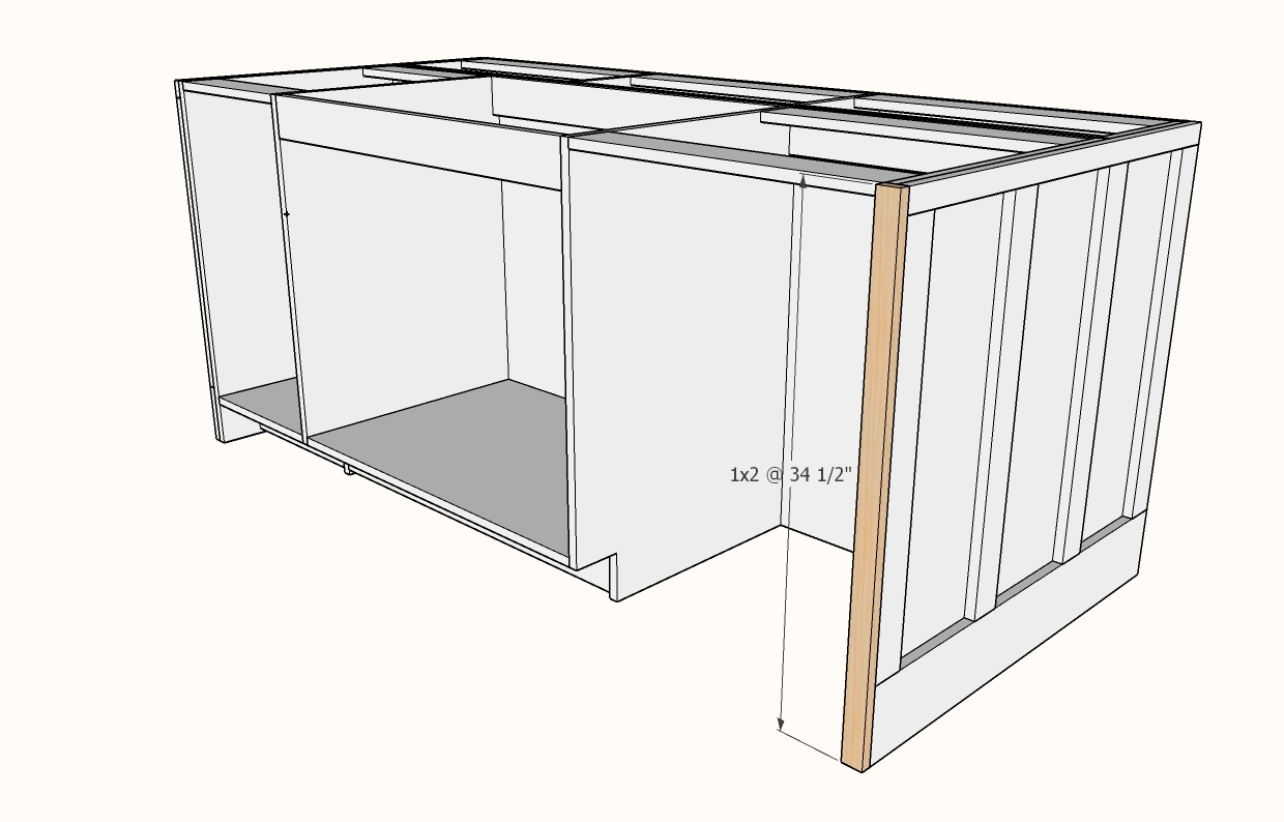
**Measure and cut the top and bottom trim to fit. Nail on with 1-1/4" brad nails and glue. Then measure the 1x2 stiles (vertical) trim and nail and glue to the front edges of the plywood.**

## Step 8



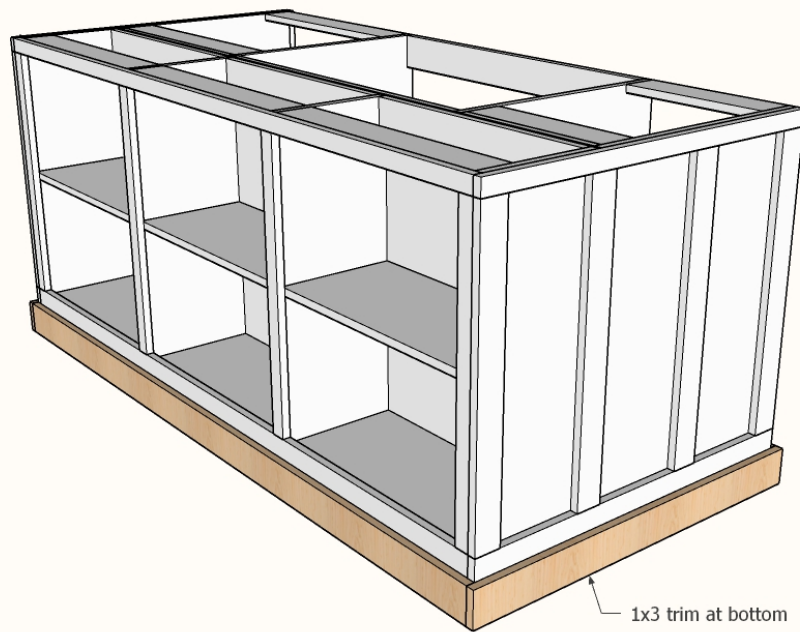
**Repeat these steps for the side trim, but use 1x3s for the stiles (so the corbels have a wider board to land on). You can use 1x2s for the mid-stiles. Do both sides.**

**Step 9**



**Measure and cut a 1x2 to trim out front edge of dishwasher panel. Nail and glue in place.**

## Step 10

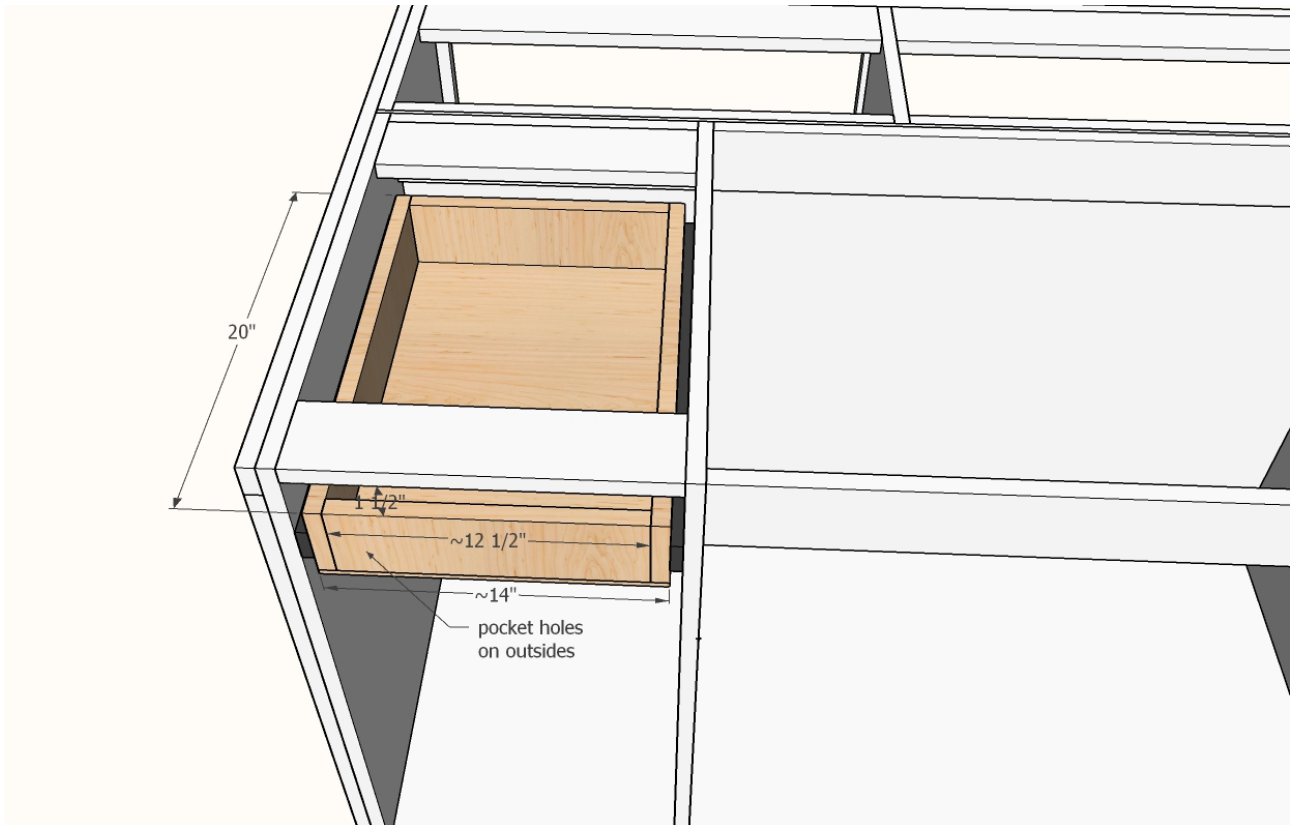


Trim around all sides and under toekick, flush to floor, but leave dishwasher opening clear

1x3 trim at bottom

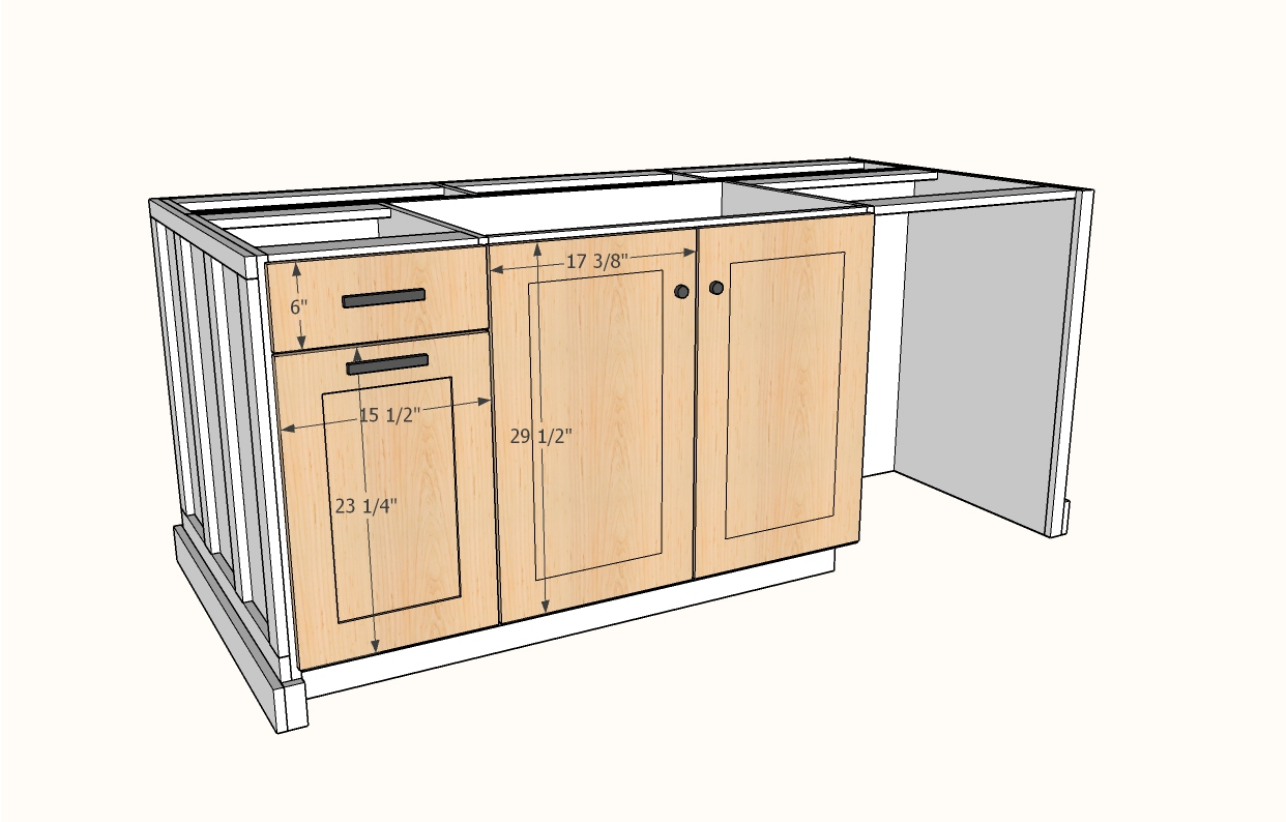
**Trim the entire base with 1x4 boards or other base trim. Nail and glue on.**

## Step 11



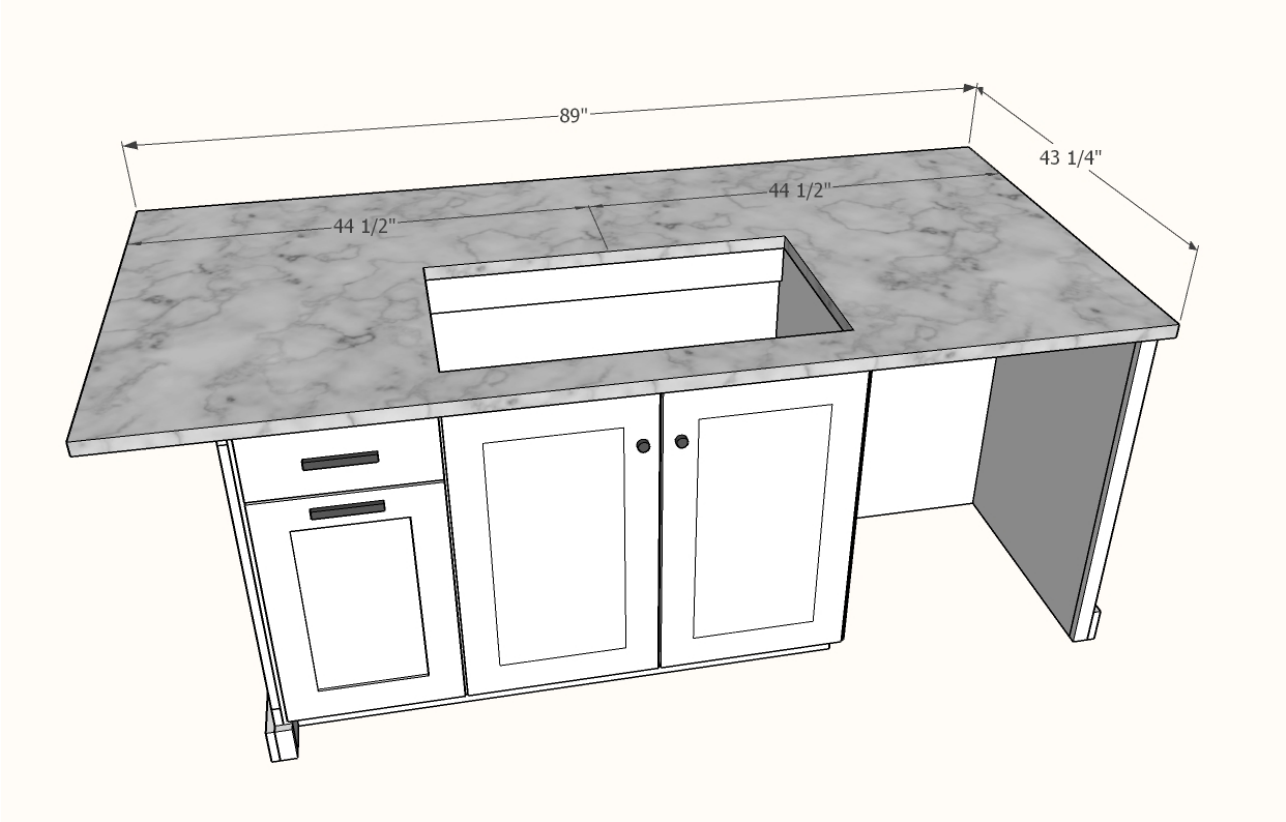
**Build the drawer with 1x4 boards. First cut two 1x4 @ 20" long. Install the drawer sides to the drawer slide and install inside the cavity. Measure between the two installed drawer sides and cut two 1x4s to match - should be about 12-1/2" long. Attach to the two drawer sides with pocket hole screws on the outside. Measure and cut 1/2" thick plywood for the drawer bottom. Attach with glue and nails. NOTE: Make sure you install the drawer at a height that will be covered by the drawer face.**

**Step 12**



**Attach the drawer face to the drawer box. Install doors with frameless hinges, half overlay.**

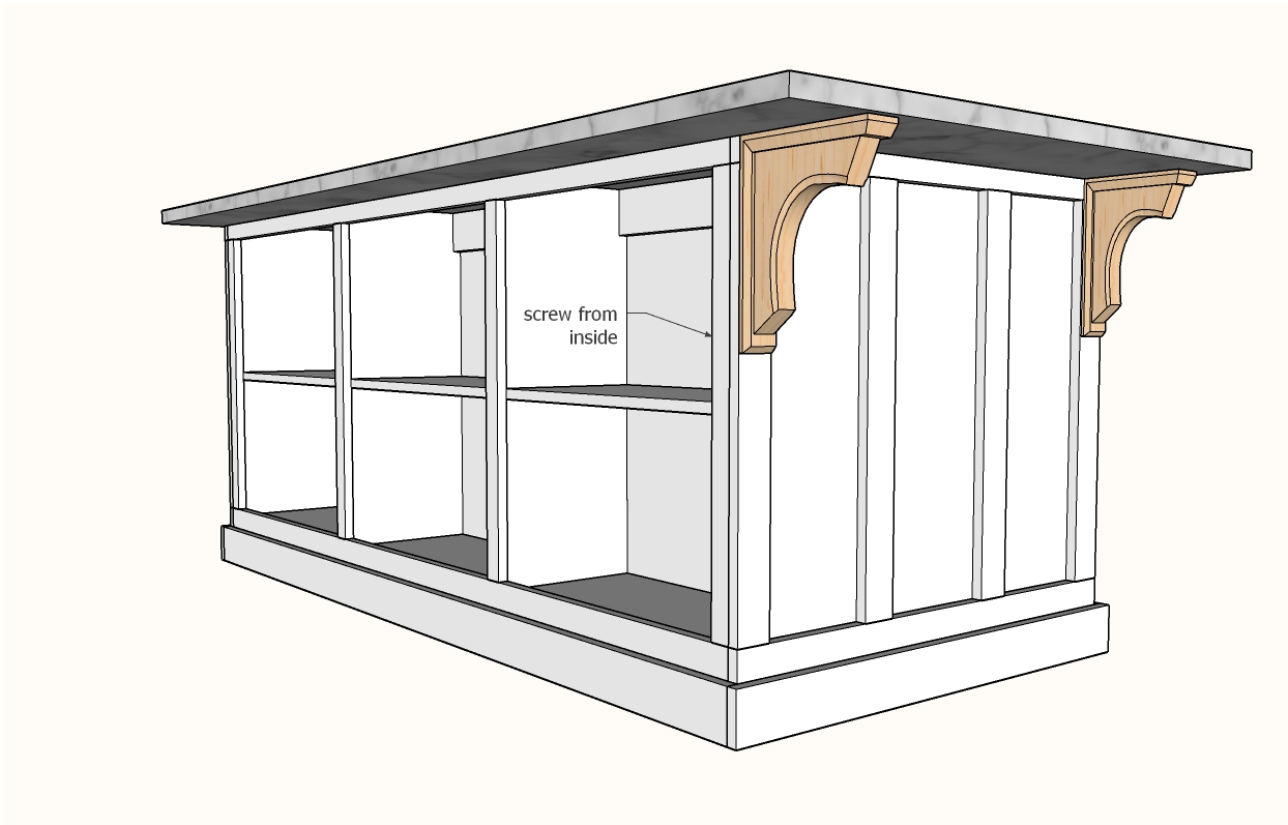
**Step 13**



**Install countertop. Cut out the sink.**



## Step 14



**The corbels were added after the countertop, secured from the back side with 2" screws. The corbels are 9" x 12"**